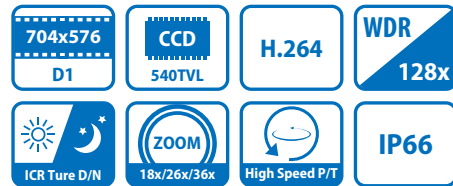


DH-SD6663/6665/6666D-HN

18x/26x/36x H.264 Network PTZ Dome Camera



DH-SD6663D-HN: 18x optical zoom, WDR, H.264, 25/30fps at D1(4CIF)

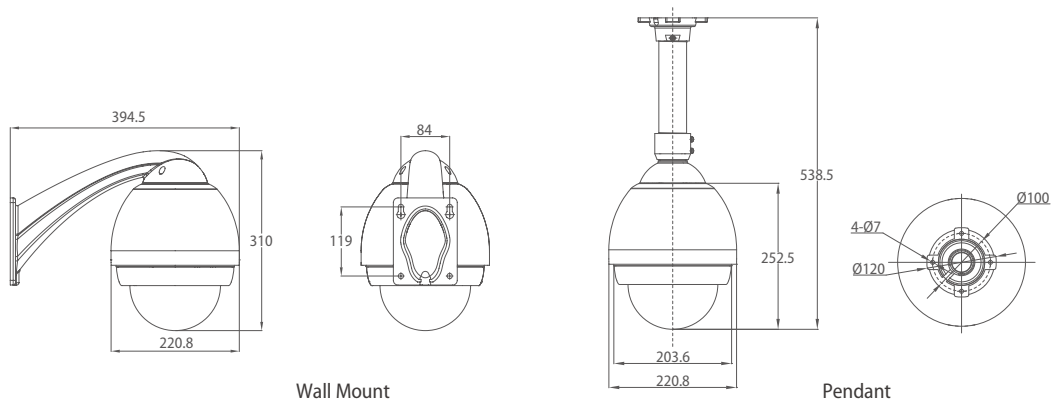
DH-SD6665D-HN: 26x optical zoom, WDR, H.264, 25/30fps at D1(4CIF)

DH-SD6666D-HN: 36x optical zoom, WDR, H.264, 25/30fps at D1(4CIF)

Features

- 1/4" EXview HAD CCD
- Powerful 18x optical zoom(4.1mm~73.8mm):
DH-SD6663D-HN
- Powerful 26x optical zoom(3.5mm~91.0mm):
DH-SD6665D-HN
- Powerful 36x optical zoom(3.4mm~122.4mm):
DH-SD6666D-HN
- H.264 video compression and JPEG image capture
- 25/30fps at D1(4CIF)/HD1/CIF/VGA resolution
- Hybrid dome mode with analog and IP video sync output
- Wide dynamic range(WDR) of 128x
- Day/Night(ICR), Auto iris, Auto focus, AWB
- Max 400°/s pan & tilt speed, 360° endless pan rotation
- Up to 200 Presets, 5 Auto Scan, 8 Tour, 5 Pattern
- Idle Motion: Activation of Preset/Scan/Tour/Pattern after idle time
- Time Task: Auto activation of Preset/Scan/Tour/Pattern by pre-set time
- Power up action: Auto restore to previous PTZ & Lens status after power up
- 7/2 channel alarm input/output
- Max 32GB SD card for local storage
- SONY high resolution WDR camera module
- 3D positioning control at DH-SD protocol
- IP 66 protection level, constant temperature & anti-fog
- AMP slot for easy installation
- Built-in web server, NVR, DMSS & CMS

Dimensions (mm)



Specifications

Model	DH-SD6663D-HN		DH-SD6665D-HN		DH-SD6666D-HN	
Camera	Image Sensor	1/4" EXview HAD CCD				
	Effective Pixels (H x V)	NTSC: 440,000 (752 x 582) PAL: 380,000 (768 x 494)				
	Horizontal Resolution	540TV Lines				
	Focal Length	4.1mm(Wide)~73.8mm(Tele), F1.4~F3.0	3.5mm(Wide)~91.0mm(Tele), F1.6~F3.8	3.4mm(Wide)~122.4mm(Tele), F1.6~F4.5		
	FOV	48°(Wide)~2.8°(Tele)	54.2°(Wide)~2.2°(Tele)	57.8°(Wide)~1.7°(Tele)		
	Closest Focal Distance	290mm(Wide)~800mm(Tele)	320mm(Wide)~1500mm(Tele)	320mm(Wide)~1500mm(Tele)		
	Optical Zoom	18x	26x	36x		
	Digital Zoom	12x				
	Min. Illumination	0.7Lux/F1.4(Color), 0.01Lux/F1.4(B/W)	1.0Lux/F1.6(Color), 0.01Lux/F1.6(B/W)	1.4Lux/F1.6(Color), 0.01Lux/F1.6(B/W)		
	Electronic Shutter	NTSC:1/4~1/10000s, PAL:1/3~1/10000s , 20level				
	Signal Noise Ratio	>50dB				
	Wide Dynamic Range	128x				
	Backlight Compensation	On/Off				
	White Balance	Auto/ATW/Indoor/Outdoor/Manual				
	Day/Night	ICR				
Video Output	BNC(1.0Vp-p, 75Ω), NTSC/PAL					
Video & Audio	Video Compression	H.264/MPEG4				
	Image Resolution	D1(704×576/704×480) / HD1(352×576/352×480) / CIF(352×288/352×240) / QCIF(176×144/176×128) / VGA(640×480) / QVGA(320×240) / QQVGA(160×128)				
	Encoding Speed	Main Stream: 1~25/30fps, Extra Stream: 1~25/30fps				
	Audio Compression	G.711a(32Kbps) / AMR(10.2Kbps)				
	Audio Mode	Off/Audio input/Audio output				
Dome Drive	Bit Rate	32K~4Mbps				
	Pan/Tilt Range	Horizontal: 0°~360°endless, Vertical: -2°~90°auto flip				
	Manual Control Speed	Horizontal: 0.1°~300°/s, Vertical: 0.1°~150°/s				
	Preset Speed	Horizontal: 400°/s, Vertical: 180°/s				
	Preset Positions	255				
	PTZ Mode	5 Auto Scan, 8 Tour, 5 Pattern				
	Alarm	7/2 alarm input/output, Triggering Preset/Tour/Pattern/Scan				
	Auto Speed Control	Automatic focal length/speed adaptation				
	3D Positioning	Yes				
	Protocol	DH-SD, Pelco-P/D				
Network	Fan & Heater	Automatic fan and heater control				
	Ethernet	RJ-45(10/100 Base-T)				
	Network Protocol	TCP/IP, UDP, DHCP, DNS, IP Filter, PPPOE, DDNS, FTP, Email, Alarm Server				
General	Remote Operation	Monitor, PTZ control, Playback, System setting, File download, Log information, Maintenance & Upgrade				
	Processor	TI DaVinci Series DSP				
	Operating System	Embedded LINUX				
	Resource	Simultaneous remote monitoring, local recording and remote control				
	User Interface	WEB, DSS, PSS				
	Protection	IP66				
	Protection Circuit	3000V lightning protection, surge protection				
	Working Temperature	-40~60°C				
	Working Humidity	10%~90%				
	Power Supply	AC 24V/3A(±10%)				
	Power Consumption	12W(normal), 50W(heater working)				
Weight	5.0kg					