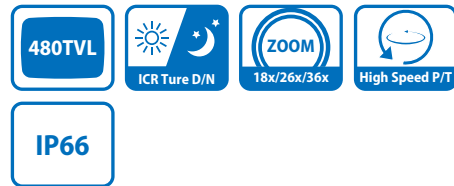


DH-SD6663/6665/6666-H

18x/26x/36x High Resolution PTZ Dome Camera



DH-SD6663-H: 18x optical zoom, 480TV lines

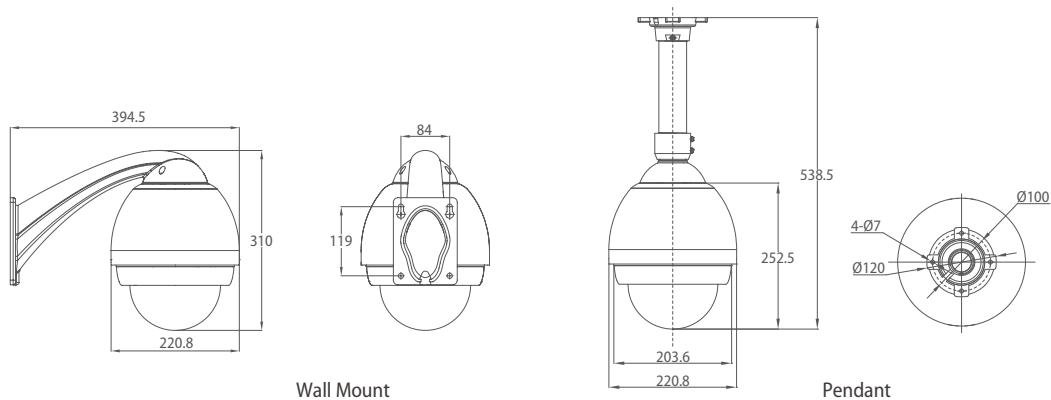
DH-SD6665-H: 26x optical zoom, 480TV lines

DH-SD6666-H: 36x optical zoom, 480TV lines

Features

- SONY color camera module
- 1/4" EXview HAD CCD
- Powerful 18x optical zoom(4.1mm~73.8mm): DH-SD6663-H
Powerful 26x optical zoom(3.5mm~91.0mm): DH-SD6665-H
Powerful 36x optical zoom(3.4mm~122.4mm): DH-SD6666-H
- High resolution of 480TV Lines
- Day/Night(ICR), Auto iris, Auto focus, AWB, Backlight compensation
- Up to 24 zones of privacy masking(8 zones per area)
- Max 400°/s pan & tilt speed, 360° endless pan rotation
- Up to 255 Presets, 5 Auto Scan, 8 Tour, 5 Pattern
- Idle Motion: Activation of Preset/Scan/Tour/Pattern after idle time
- Time Task: Auto activation of Preset/Scan/Tour/Pattern by pre-set time
- Power up action: Auto restore to previous PTZ & Lens status after power up
- Multi-language OSD menu
- 7/2 channel alarm input/output
- 3D positioning control at DH-SD protocol
- IP 66 protection level, constant temperature & anti-fog
- AMP slot for easy installation

Dimensions (mm)



Specifications

| Model | DH-SD6663-H | DH-SD6665-H | DH-SD6666-H | |
|------------|-----------------------------|---|--|--|
| Camera | Image Sensor | 1/4" EXview HAD CCD | | |
| | Effective Pixels (H x V) | NTSC: 440,000 (752 x 582) PAL: 380,000 (768 x 494) | | |
| | Horizontal Resolution | 480TV Lines | | |
| | Focal Length | 4.1mm(Wide)~73.8mm(Tele), F1.4~F3.0 | 3.5mm(Wide)~91.0mm(Tele), F1.6~F3.8 | 3.4mm(Wide)~122.4mm(Tele), F1.6~F4.5 |
| | FOV | 48°(Wide)~2.8°(Tele) | 54.2°(Wide)~2.2°(Tele) | 57.8°(Wide)~1.7°(Tele) |
| | Closest Focal Distance | 290mm(Wide)~800mm(Tele) | 320mm(Wide)~1500mm(Tele) | 320mm(Wide)~1500mm(Tele) |
| | Optical Zoom | 18x | 26x | 36x |
| | Digital Zoom | 12x | | |
| | Min. Illumination | 0.7Lux/F1.4(Color), 0.01Lux/F1.4(B/W) | 1.0Lux/F1.6(Color), 0.01Lux/F1.6(B/W) | 1.4Lux/F1.6(Color), 0.01Lux/F1.6(B/W) |
| | Electronic Shutter | NTSC:1/4~1/10000s, PAL:1/3~1/10000s , 20level | | |
| | Signal Noise Ratio | >50dB | | |
| | Backlight Compensation | On/Off | | |
| | White Balance | Auto/ATW/Indoor/Outdoor/Manual | | |
| | Day/Night | ICR | | |
| | Privacy Masking | On/Off(MAX. 24 zones) | | |
| | Video Output | BNC(1.0Vp-p, 75Ω), NTSC/PAL | | |
| Dome Drive | Pan/Tilt Range | Horizontal: 0°~360°endless, Vertical: -2°~90°auto flip | | |
| | Manual Control Speed | Horizontal: 0.1°~300°/s, Vertical: 0.1°~150°/s | | |
| | Preset Speed | Horizontal: 400°/s, Vertical: 180°/s | | |
| | Preset Positions | 255 | | |
| | PTZ Mode | 5 Auto Scan, 8 Tour, 5 Pattern | | |
| | Alarm | 7/2 alarm input/output, Triggering Preset/Tour/Pattern/Scan | | |
| | Auto Speed Control | Automatic focal length/speed adaptation | | |
| | 3D Positioning | Yes | | |
| | Protocol | DH-SD, Pelco-P/D | | |
| | Fan & Heater | Automatic fan and heater control | | |
| General | Protection | IP66 | | |
| | Protection Circuit | 3000V lightning protection, surge protection | | |
| | Working Temperature | -40~60°C | | |
| | Working Humidity | 10%~90% | | |
| | Power Supply | AC 24V/3A(±10%) | | |
| | Power Consumption | 12W(normal), 50W(heater working) | | |
| Weight | 5.0kg | | | |