

Detail monitoring with 30x Zoom



4CIF 30x Network PTZ Dome Camera

SNP-3302H/3302

The SNP-3302H/3302 network PTZ cameras feature a 30x optical zoom that is ideal for detailed object monitoring. With H.264, MPEG-4, MJPEG multiple codec these cameras provide flexibility to suite one's network environment. Especially, the SNP-3302H includes an integrated housing that is fully weatherproof to IP66, making installation simple, and support a wide operating temperature range -50° to $+50^{\circ}$. In addition, they support multi-streaming technology able to transfer real-time high resolution images 30(25)fps at 4CIF resolution.

- Max. 30(25)fps at 4CIF resolution
- 3.5 ~ 105.3mm (30x) optical zoom, 16x digital zoom
- H.264, MPEG-4, MJPEG multiple codec
- SD memory, IP66, 2-way audio communication support

4CIF 30x Network PTZ Dome Camera

SNP-3302H/3302



SNP-3302H

SNP-3302

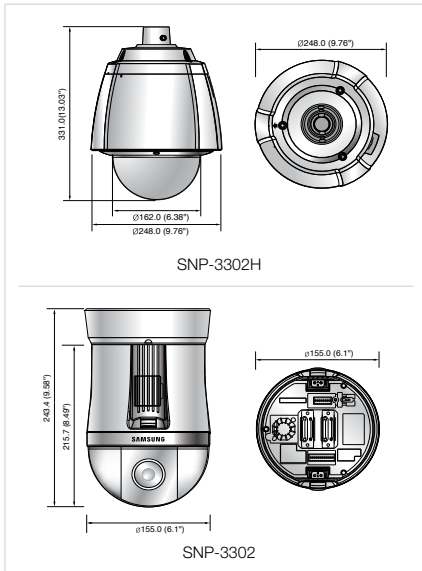
Specifications



| | SNP-3302HN/3302N | SNP-3302HP/3302P |
|----------------------------------|--|--|
| VIDEO | | |
| Imaging Device | 1/4" Vertical Double Density Interline Transfer CCD | |
| Total Pixels | 811(H) x 508(V) | 795(H) x 596(V) |
| Effective Pixels | 768(H) x 494(V) | 752(H) x 582(V) |
| Scanning System | Progressive(VPS ON) (If WDR on, Interlaced Scan) | |
| Min. Illumination | 0.7 Lux/F1.6(50IRE) : Color / 0.07 Lux/F1.6(50IRE) : BW | |
| S / N Ratio | 52dB | |
| Video Out | CVBS : 1.0 Vp-p / 75Ω composite, 704x480(N), 704x576(P), for installation | |
| LENS | | |
| Focal Length (Zoom Ratio) | 3.5~105.3mm (30X) | |
| Max. Aperture Ratio | F1.6(Wide) / F3.9(Tele) | |
| Angular Field of View | H : 55.5°(Wide) ~ 1.92°(Tele) / V : 42.5°(Wide) ~ 1.43°(Tele) | |
| Min. Object Distance | 1.5m | |
| Focus Control | AF / One-Shot AF / Manual | |
| Lens Type | DC Auto Iris | |
| Mount Type | Board-in type | |
| PAN / TILT / ROTATE | | |
| Pan Range | 360° Endless | |
| Pan Speed | Preset : 500°/sec, Manual : 0.024°/sec ~ 120°/sec | |
| Tilt Range | 190° (-5° ~ 185°) | |
| Tilt Speed | Preset : 500°/sec, Manual : 0.024°/sec ~ 120°/sec | |
| Preset | 255ea | |
| Preset Accuracy | ±0.1° | |
| OPERATIONAL | | |
| Camera Title | Off / On (Displayed up to 15 characters) | |
| Day & Night | Auto (ICR) / Color / B/W | |
| Backlight Compensation | Off / BLC / WDR / HLC | |
| Wide Dynamic Range | 128X (52dB) | 128X |
| Contrast Enhancement | SSDR (Samsung Super Dynamic Range) (Off / On) | |
| Digital Noise Reduction | SSNRIII (2D+3D Noise Filter) (Off / On) | |
| Digital Image Stabilization | Off / On | |
| Motion Detection | Yes | |
| Privacy Masking | Off / On (8 Polygonal programmable zones) | |
| Sens-up (Frame Integration) | Off / Auto (2x ~ 512x) | |
| Gain Control | Off / Low / Medium / High / Manual | |
| White Balance | AWC, Manual, Indoor, Outdoor, ATW (1,700°K ~ 11,000°K) | |
| Electronic Shutter Speed | ESC / FLK / Manual (1/60 ~ 1/120,000) | ESC / FLK / Manual (1/50 ~ 1/120,000) |
| Digital Zoom | 16x | |
| Flip / Mirror | Off / On | |
| Intelligent Video Analytics | Virtual Line, Enter / Exit, Appear / Disappear | |
| Alarm I/O | Input 4ea / Output 2ea | |
| Remote Control Interface | RS-485/422 | |
| RS-485 Protocol | Samsung-T, Samsung-E, Pelco-D, Pelco-P, Panasonic, Honeywell, AD, Vicon | |
| NETWORK | | |
| Ethernet | RJ-45 (10/100BASE-T) | |
| Video Compression Format | H.264, MPEG4, MJPEG | |
| Resolution | 704 x 480, 640 x 480, 352 x 240, 320 x 240 | 704 x 576, 640 x 480, 352 x 288, 320 x 240 |
| Max. Framerate | 30fps | 25fps |
| Video Quality Adjustment | H.264/MPEG4 : Compression Level, Target Bitrate Level Control MJPEG : Quality Level Control | |
| Bitrate Control Method | H.264/MPEG4 : CBR or VBR, MJPEG : VBR | |
| Streaming Capability | Multiple streaming (Up to 10 profiles) | |
| Audio I/O | Line in / Line out | |
| Audio Compression Format | G.711 u-law | |
| Audio Communication | 2-Way | |
| IP | IPv4, IPv6 | |
| Protocol | TCP/IP, UDP/IP, RTP(UDP), RTP(TCP), RTSP, NTP, HTTP, HTTPS, SSL, DHCP, PPPOE, FTP, SMTP, ICMP, IGMP, SNMPV1/V2C/V3(MIB-2), ARP, DNS, DDNS, ONVIF | |
| Security | HTTPS(SSL) Login Authentication, Digest Login Authentication, IP Address Filtering, User access Log, 802.1x Authentication | |
| Streaming Method | Unicast / Multicast | |
| Max. User Access | 10 users at unicast mode | |
| Memory Slot | SD/SDHC memory slot | |
| ONVIF Conformance | Yes (v.1.02) | |
| Webpage Language | English, French, German, Spanish, Italian, Chinese, Korean, Russian, Japanese, Swedish, Danish, Portuguese, Turkish, Polish, Czech, Rumanian, Serbian, Dutch, Croatian, Hungarian, Greek | |
| Web Viewer | Supported OS : Windows XP / VISTA / 7, MAC OS, Supported Browser : Internet Explorer 7.0 or 8.0, Firefox, Google Chrome, Apple Safari | |
| Central Management Software | NET-I viewer | |
| ENVIRONMENTAL | | |
| Operating Temperature / Humidity | SNP-3302 : -10°C ~ +50°C (+14°F ~ +122°F) / 20% ~ 80% RH, SNP-3302H : -50°C ~ +50°C (-58°F ~ +122°F) / 20% ~ 80% RH | |
| Ingress Protection | IP66 (SNP-3302H only) | |
| ELECTRICAL | | |
| Input Voltage / Current | 24V AC, PoE+ (IEEE802.3at) | |
| Power Consumption | SNP-3302 : Max. 21W, SNP-3302H : Max. 25W (Heater Off), Max. 60W (Heater On), * Heater works only at AC power input. | |
| MECHANICAL | | |
| Color / Material | SNP-3302 : Ivory / Plastic, SNP-3302H : Ivory / Aluminum (Vandal Resistance) / Plastic Sun-Shield | |
| Dimensions (WxH) | SNP-3302 : Ø243.4 x 155.0mm (Ø9.58" x 6.1"), SNP-3302H : Ø248.0 x 331.0mm(9.76" x 13.03") | |
| Weight | SNP-3302 : 2.2kg(4.85 lb), SNP-3302H : 4.6Kg(10.14 lb) | |

Dimensions

Unit : mm (inch)



The Eco mark represents Samsung Techwin's will to create environment-friendly products, and indicates that the product satisfies the EU RoHS Directive.

Design and specifications are subject to change without notice.



SAMSUNG TECHWIN CO., LTD.

701, Sampyeong-dong, Bundang-gu, Seongnam-si, Gyeonggi-do Korea 463-400
Tel : +82-70-7147-8741~8749, 8752-8760 Fax : +82-31-8018-3745
www.samsungipolis.com www.samsungsecurity.com

SAMSUNG TECHWIN AMERICA INC.

100 Challenger Rd. Suite 700 Ridgefield Park, NJ 07660
Toll Free : +1-877-213-1222 Direct : +1-201-325-6920
Fax : +1-201-373-0124
www.samsungcctvusa.com

SAMSUNG TECHWIN EUROPE LTD.

Samsung House, 1000 Hillwood Drive, Hillwood Business Park
Chertsey, Surrey, UNITED KINGDOM KT16 0PS
Tel : +44-1932-45-5300 Fax : +44-1932-45-5325

TIANJIN SAMSUNG TECHWIN OPTO-ELECTRONICS CO., LTD.

No.11 Wei 6 Street, Micro-Electronic Industrial Park
Jingang Road, Tianjin, P.R. CHINA 300385
Tel : +86-22-23887788 Fax : +86-22-23887788

■ DISTRIBUTED BY

