

## HD4DIP

### EQUIP™ SERIES TRUE DAY/NIGHT VANDAL DOME NETWORK CAMERA

Honeywell's EQUIP™ Series is an array of IP-based products that have an open architecture platform and utilize a single Application Program Interface (API). The API allows for a common user experience and integration with hybrid Digital Video Recorders (DVRs) and Network Video Recorders (NVRs).

The Honeywell HD4DIP true day/night vandal dome network camera is a high performance, 1/3" CCD network camera offering the latest in digital video surveillance in an ultra compact and vandal resistant camera. It combines world-class video performance with the EQUIP Series IP networking technology providing streaming MPEG-4 images in 4CIF, 2CIF, or CIF resolutions with rates up to 30 frames per second (25 fps for PAL systems).

The HD4DIP camera adapts to varying lighting conditions to ensure the highest picture quality even in extreme low light conditions. When the light level drops too low for accurate video identification in color, the camera automatically switches to black and white video to capture more detail.

The HD4DIP has built-in Power over Ethernet (IEEE 802.3af), which allows power to be supplied to the camera using the network, eliminating the need for a separate power supply and reducing the cost of installation. For additional installation flexibility the unit can also be powered with 12 VDC or 24 VAC.

#### Market Opportunities

The HD4DIP is a network surveillance solution designed for object recognition that is required in locations where variable light conditions exist. Its discreet, vandal-resistant and outdoor design provides maximum protection against dust, dirt and water and is also impact resistant. This provides optimum performance for both indoor and outdoor applications.

#### Features

- 4CIF, 2CIF, or CIF resolutions
- 1/3" color CCD, 540 TVL
- Excellent low light performance, down to 0.1 lux
- Camera Sabotage Detection
- MPEG-4 compression
- Remote firmware updates
- Supports both Dynamic and Static IP addresses
- Variable day/night threshold setting to accommodate switching to black and white images in low light
- Multiple levels of password protected remote access prevents unauthorized users from altering system settings
- Includes advanced IP locator software to make system setup easy
- Web server for remote setup of camera video and network parameters
- 12 VDC/24 VAC or PoE IEEE 802.3af choice of power inputs
- IP66 rated, resistant against water and dust
- Supports two-way audio



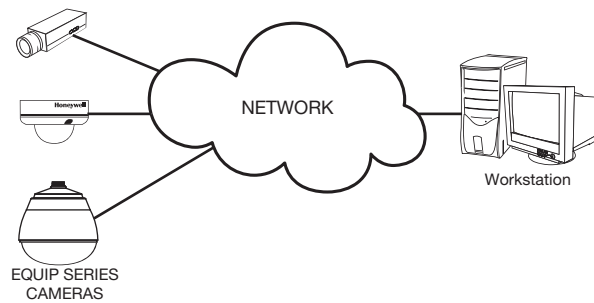
## HD4DIP

### SPECIFICATIONS

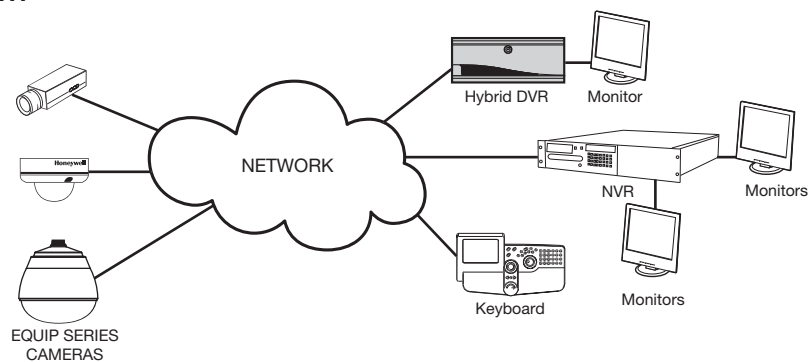
Like all cameras in the EQUIP Series, the HD4DIP uses Honeywell proprietary technology for camera sabotage detection, remote firmware updating and for secure storage of all camera settings. Camera sabotage detection notifies the user when a camera's field of view is altered, blinded or blurred. This ensures the video's integrity and alerts the customer to either a live event or a system problem that is causing disruption to the video stream. Honeywell's technology also allows users to remotely upload firmware to the camera. Setup is quick and easy and can be customized through a Web client or from an NVR or DVR. The built-in Web server provides password protected access to the camera's video and network setup.

#### System Diagram

##### Internet Explorer or Honeywell IT Utility



##### Hybrid DVR or NVR



## HD4DIP

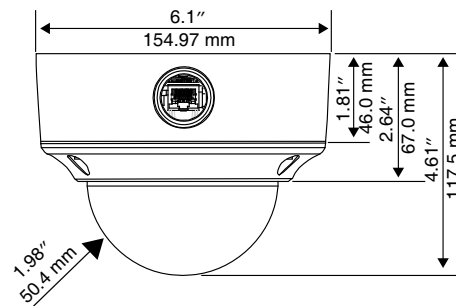
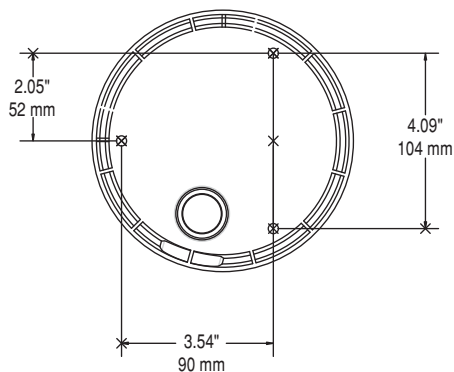
### SPECIFICATIONS

Operational	
Video Standard	NTSC, PAL
Scanning System	525/60 lines (NTSC), 625/50 lines (PAL)
Image Sensor	1/3" CCD
Number of Pixels (H x V)	HD4DIP: 768 x 494 (NTSC) HD4DIPX: 752 x 582 (PAL)
Minimum Illumination	0.6 lux color/0.4 lux BW @ 50 IRE, F1.3 0.25 lux color/0.15 lux BW @ 30 IRE, F1.3
Horizontal Resolution	Greater than 540 TVL
Video Output	1.0 Vp-p @ 75 Ohms
Sync System	Internal
S/N Ratio	50 dB or more (AGC off)
Auto Gain Control	Off/On, selectable
Automatic Electronic Shutter	1/60–1/100,000 sec (NTSC) 1/50–1/100,000 sec (PAL)
Automatic Lens Control	DC Iris Level 1-25
Lens Type	Direct Drive (DC) 2.8 mm to 10.0 mm Vari-focal Auto Iris, F1.3
White Balance	ATW, User Fixed, AWC (Auto or Manual), Fluorescent, MWB (Manual Mode), Indoor, Outdoor
Back Light Compensation	Off/On (Low, Mid, High)
Flickerless	Off/On, switchable
Gamma	0.45
Audio/Two-Way	Line in/out
Electrical	
Input Voltage	12 VDC/24 VAC, PoE IEEE 802.3af
Input Range	11–16 VDC, 17–28 VAC
Surge Suppression	1.5 kW transient
Power Consumption	8 W (max)
Mechanical	
Dimensions (W x H x D)	See Diagram
Weight	3.0 lb (1.3 kg) camera only
Construction	Housing: Aluminum Finish: Cool Gray Powder Coat Dome: Polycarbonate
Connector	Aux Video Output: 2-pin connector for video test cable Power Input: Removable screw block Alarm I/O: Removable screw block Network: RJ45 connector Audio In: Removable screw block Audio Out: Removable screw block

Environmental													
Temperature	Operating: -4°F to 122°F (-20°C to 50°C) Storage: -4°F to 140°F (-20°C to 60°C)												
Relative Humidity	0% to 85%, non-condensing												
Thermostat Operation	Thermostatically controlled to activate <113° F (<45° C)												
Rating	IP66												
IP Specifications													
Video Compression	MPEG-4 Part 2 (ISO/IEC 14496-2) SP level 0-3												
Resolutions	<table border="1"> <thead> <tr> <th></th> <th>NTSC</th> <th>PAL</th> </tr> </thead> <tbody> <tr> <td>4CIF</td> <td>704 x 480</td> <td>704 x 576</td> </tr> <tr> <td>2CIF</td> <td>704 x 240</td> <td>704 x 288</td> </tr> <tr> <td>CIF</td> <td>352 x 240</td> <td>352 x 244</td> </tr> </tbody> </table>		NTSC	PAL	4CIF	704 x 480	704 x 576	2CIF	704 x 240	704 x 288	CIF	352 x 240	352 x 244
	NTSC	PAL											
4CIF	704 x 480	704 x 576											
2CIF	704 x 240	704 x 288											
CIF	352 x 240	352 x 244											
Frame Rate NTSC/PAL	Up to 30/25 fps video in all resolutions												
Video Streaming	MPEG-4 controllable frame rate and bandwidth. Constant or variable bit rate												
Security	Multiple user access levels with password protection												
Users	1 Administrator, 4 Guests												
Video Access from Web Browser	Camera live view for up to 5 clients. Full control of all camera settings available to administrator												
Minimum Web Browsing Requirements	Pentium IV CPU 2.4 GHz or equivalent AMD, 512 MB RAM, AGP graphics card 32 MB RAM Windows® XP 2000, Internet Explorer 6.0 or later												
Installation and Management Maintenance	Honeywell IP Utility software identifies the IP address, checks status of device												
Supported Protocols	IPv4, HTTP, TCP, RTSP, RTP, ICMP, UDP, IGMP, RTCP, FTN, DNS, DHCP, Bonjour, ARP												
Regulatory													
Emissions	FCC, CE (EN55013)												
Immunity	CE (EN50130-4)												
Safety	EU: 73/23/EEC LVD, UL60950												

## SPECIFICATIONS

System Compatibility	
<b>Honeywell Products</b>	
<b>Hybrid DVRs</b>	
Fusion IV	Full Featured Hybrid Digital Video Recorder, v4.00.6405 or higher
<b>NVRs</b>	
Enterprise NVR Series	Enterprise Class Digital Network Video Recorder System, version 5.75 build 19 or higher
MAXPRO VMS/IP Engine	v R200 SP1 or higher
Fusion IV	v4.00.6405 or higher
<b>Third-Party Products</b>	
Refer to the Honeywell Open Technology Alliance for a comprehensive list of compatible products to which this device is integrated.	
<b>Accessories</b>	
<b>Housing and Mounts</b>	
HD4DIP-PK	Pendant Mount Bracket
HD4DIP-WK	Wall Mount Bracket



Ordering	
HD4DIP	EQUIP Series True Day/Night Vandal Dome Network Camera, 540 TVL, 2.8 - 10 mm VFAL, 12 VDC/24 VAC or PoE IEEE 802.3af, NTSC
HD4DIPX	EQUIP Series True Day/Night Vandal Dome Network Camera, 540 TVL, 2.8 - 10 mm VFAL, 12 VDC/24 VAC or PoE IEEE 802.3af, PAL

**NOTE:** Honeywell reserves the right, without notification, to make changes in product design or specifications.

### Automation and Control Solutions

Honeywell Systems  
 2700 Blankenbaker Pkwy, Suite 150  
 Louisville, KY 40299  
 1.800.323.4576  
 www.honeywell.com

L/HD4DIP/D  
 November 2010  
 © 2010 Honeywell International Inc.

