

AM-6022P-FM

Miniature Metal Case Camera

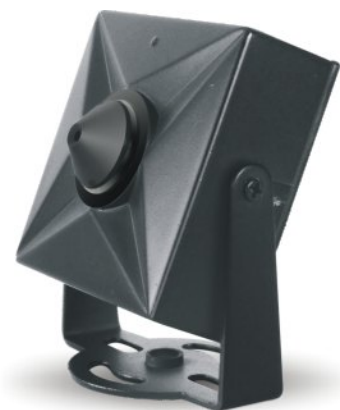
Superior Engineering Design & Sensational Image Quality

AM-6022P-FM

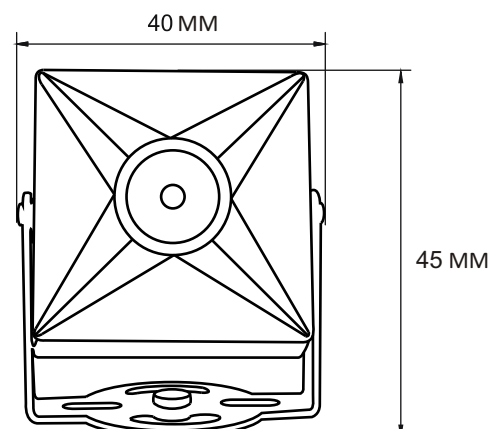
Miniature Metal Case Camera

Features :

- Sony 1/3" 960H Super HAD CCD II
- Super Excellent 600TVLine Resolution
- Support ATR (Adaptive Tone-Curve Reproduction)
- 3.7mm Full Conical Pin Hole Lens
- True & Soft Day/Night for all 24/7 Surveillance mode
- Super Extra Noise Reduction(2DNR) to Save the HDD Storage
- Low Illumination 0.3Lux with noise free image
- OSD Menu Control for easy & user friendly Customer Ease
- Super AGC Control, Color & Image Control
- Motion Detection, Privacy Masking, Camera ID, Mirror
- Support 12VDC



Dimension :



Specifications :

Model	AM-6022P-FM	AM-6022N-FM
Signal System	PAL	NTSC
CCD Type	1/3" Super HAD II IS	
Effective Pixels	752(H) x 582(V)	768(H) x 494(V)
Scanning Frequency	H : 15.625 KHz V : 50 Hz	H : 15.734 KHz V : 60 Hz
Horizontal TVLine Resolution	600TVL at Color	
ATR-EX (WDR)	On/Off (Luminance & Contrast Adjustable)	
Day/Night	Color / B&W / Auto	
Digital Noise Reduction	2 DNR, On/Off Selectable	
Sens-Up	Auto/ Manual Selectable x2 to x32 level	
Lux Level(illumination)	0.3Lux at 40 IRE Color, 0.03Lux at 40 IRE B/W	
Gamma	Auto Default 0.45	
Gain Control(AGC)	X0.25 / X0.50 / X0.75 / X1.00	
White Balance	ATW / PUSH / USER1 / USER2 / ANTI CR / MANUAL/ PUSH LOCK	
Light Compensation	Off/ BLC / HLC Programmable Zone	
Lens	3.7MM Full Conical Pin Hole Lens	
Camera ID Name	On/Off	
Privacy Masking	Up to 4 Zones	
OSD Menu Control	Yes	
Mirror	On/Off	
Motion Detection	ON / OFF Adjustable 4 Zone	
Image Control	Brightness, Contrast, Sharpness, Hue, Gain	
Scanning Type	2:1 Interlace	
S/N Ratio	52dB @ AGC Off	

Specifications :

Shutter Speed Control	AUTO(1 50/60s-1/100,000s) / Manual(Shutter & AGC Adjustable)
Synchronous System	Internal
Video output	1.0Vp-p,75Ω, BNC Cable Connector
Power Supply	DC 12V +- 10%, DC Cable Connector
Power Consumption	<100mA @ 12VDC
Power Consumption(Optional 230VAC)	30% ~ 90% RH
Operating Temperature	-10°C ~ + 50°C
Operating Humidity	30% ~ 90% RH
Dimensions(W×D×H)	40mm (W) x 45mm(H) x 20mm(D)
Weight (g)	76 g
Enclosure	Metal

* Product specifications and appearance may be changed without prior notice due to improvements.



Scan with your
Smart phone for
more information

AVTRON

<http://www.asi.ind.in>