

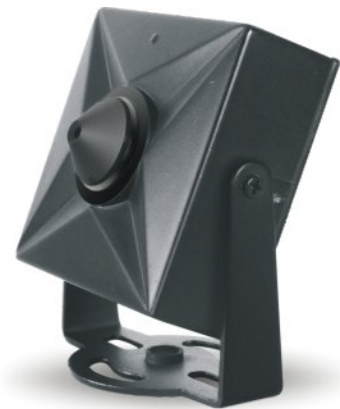
Superior Engineering Design & Sensational Image Quality

AA-4522P-FS

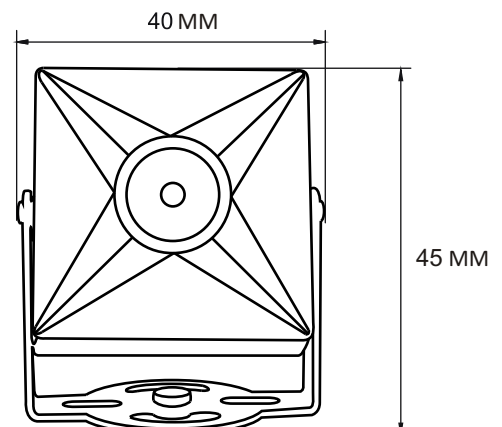
Miniature Metal Case Camera

Features :

- Miniature Metal Case Camera
- 1/3" Sony Super HAD II CCD
- Super 450TV Lines Resolution
- 0.05 Low Lux
- 3.7MM Full Conical Pin Hole Lens
- BLC, AES Auto Enabled
- Gain Control Auto Enabled
- ATW Auto Enabled
- Mini Metal Camera with Bracket
- Supports 12V DC +- 10%
- Power range with Low Power Consumption



Dimension :



Specifications :

Model	AA-4522P-FS	AA-4522N-FS
Signal System	PAL	NTSC
CCD Type	1/3" Sony Super HAD II CCD	
Scanning Frequency	PAL - H : 15.625 KHz V : 50 Hz	NTSC - H : 15.734 KHz V : 60 Hz
Effective Pixels	PAL -500(H) * 582(V)	NTSC - 510(H) * 494(V)450 TVL
Horizontal Line Resolution	450 TVL	
Scanning Type	2:1 Interlace	
S/N Ratio	more than 48dB	
Electronic Shutter	AES:1/50s-1/100,000s	AES: 1/60s-1/100,000s
Lens Type	Pinhole Conical Lens 3.7 mm , F1.2	
Lux Level(illumination)	0.05 Lux @ F 1.2	
Gamma characteristics	0.45 Default	
Auto Gain Control	Auto	
Auto White Balance	Auto	
Back Light Compensation	Auto	
Synchronous System	Internal Synchronization	
Video output	1.0Vp-p,75Ω, BNC Cable Connector	
Power Supply	DC 12V ± 10%, DC Cable Connector	
Power Consumption	<90mA @ 12VDC	
Operating Temperature	-10°C ~ + 50°C	
Dimensions(W×D×H)	40mm (W) x 45mm(H) x 20mm(D)	
Weight (g)	76 g	
Enclosure	Metal	

* Product specifications and appearance may be changed without prior notice due to improvements.



Scan with your
Smart phone for
more information

AVTRON

<http://www.asi.ind.in>