

**MONARCH 690 TVL**

**AM-S6965-VMR1**

**True WDR 3 Axis  
IR VariFocal Vandal  
Dome Camera**

**Superior Engineering Design & Sensational Image Quality**

## AM-S6965-VMR1

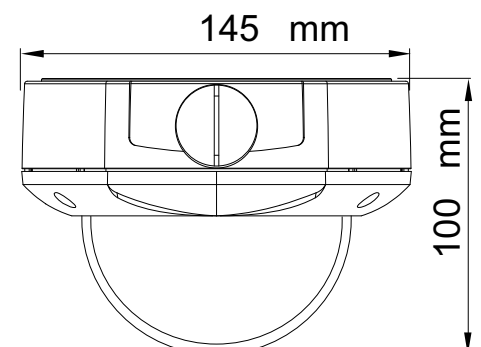
### True WDR 3 Axis IR VariFocal Vandal Dome Camera

#### Features :

- 1/3" Advanced Sensation Digital Image Sensor
- Super Excellent 690TVLine effectual Resolution with 800TVL effectual at Black & white
- Very Powerful True Wide Dynamic Range(WDR) up to 120dB
- True & Soft Day/Night for all 24/7 Surveillance mode
- Wide Range 2X ~ 32X Sens-Up for True Night Vision Image clarity
- High Intensity 18IR LED Night Vision up to 15 to 18M
- Low Illumination 0.1Lux @ Color, 0 Lux with IR On
- OSD Menu Control for easy & user friendly Customer Ease
- Varifocal 2.8 to 10mm Auto Iris Lens With ICR Enabled
- Support Digital Zooming up to 4X
- Vertical & Horizontal Image Flip Option for Easy/Fast/any Direction installation
- Motion Detection, Privacy Masking, Camera ID
- Remote OSD Control by RS485 Coaxial cable Threw Pelco Protocol
- Support 12VDC/24VAC Power
- 3 Axis Vandal Resistant Aluminum & Poly-Carbonated Dome Enclosure
- Support IP66 Protection Grade for Direct Outdoor Installation with Heater Function(Heater Optional)



#### Dimension :



## Specifications :

Model	AM-S6965P-VMR1	AM-S6965N-VMR1
Signal System	PAL	NTSC
CCD Type	1/3" Advanced Sensation Digital Image Sensor	
Effective Pixels	758(H) x 540(V)	
Horizontal TVLine Resolution	690TVL effectual at Color, 800TVL effectual at B/W	
WDR Range	High / Middle / Low / User Selectable	
Day/Night	Color / B&W / Auto	
Digital Noise Reduction	3 DNR, On/Off Selectable	
Sens-Up	Auto/ Manual Selectable x2 to x32 level	
Lux Level(illumination)	0.1Lux at Color, 0 Lux at IR LED On	
IR LED	18pcs 0.5mm	
IR Wave Length	850~880nm Infrared	
IR Distance	up to 15 ~ 18Meter	
Gamma	Default 0.45, Adjustable	
Gain Control(AGC)	Off / Auto / Low / High Selectable	
White Balance	AWB / Manual / Auto / Indoor / Outdoor	
Light Compensation	On / Off	
Lens	2.8 to 10MM DC Auto IRIS Varifocal with ICR	
Color Rolling Control	Yes	
Digital Control	Digital PTZ up to 4X, Horizontal/Vertical Flip(Mirror)	
Camera ID Name	On/Off	
Privacy Masking	Up to 12 Zones	
OSD Menu Control	Yes	
Remote Communication	RS485	
Motion Detection	On/Off Selectable	

## Specifications :

Image Control	Brightness, Sharpness
S/N Ratio	More than 50dB
Shutter Speed Control	ESS: 1/25 - 1/30,720s
Synchronous System	Internal
Video output	1.0Vp-p,75Ω, BNC Cable Connector
Power Supply	DC 12V ± 10%, DC Cable Connector
Power Consumption	<480mA @ 12VDC, <4200mA @ 24VAC
IP Protection	IP 66
Operating Temperature	-10°C ~ + 50°C
Operating Humidity	30% ~ 90% RH
Dimensions(W×D×H)	145 mm (W) x 145 mm (D) X 100 mm (H)
Weight (g)	390 g
Enclosure	3 Axis Bracket, Aluminum & Poly-Carbonated with Vandal Resistant

\* Product specifications and appearance may be changed without prior notice due to improvements.



Scan with your  
Smart phone for  
more information

**AVTRON**

<http://www.asi.ind.in>