



MONARCH 690 TVL

AM-S696-VMR1

**True WDR 3 Axis
IR Varifocal
Dome Camera**



Superior Engineering Design & Sensational Image Quality

AM-S696-VMR1

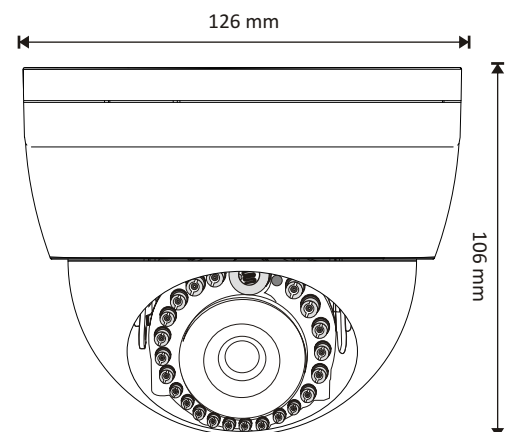
True WDR 3 Axis IR Varifocal Dome Camera

Features :

- 1/3" Advanced Sensation Digital Image Sensor
- Super Excellent 690TVLine effectual Resolution with 800TVL effectual at Black & white
- VaryPowerful True Wide Dynamic Range(WDR) up to 120dB
- True & Soft Day/Night for all 24/7 Surveillance mode
- Wide Range 2X ~ 32X Sens-Up for True Night Vision Image clarity
- High Intensity 18IR LED Night Vision up to 15 to 18M
- Low Illumination 0.1Lux @ Color, 0 Lux with IR On
- OSD Menu Control for easy & user friendly Customer Ease
- Varifocal 2.8 to 10mm Auto Iris Lens With ICR Enabled
- Support Digital Zooming up to 4X
- Vertical & Horizontal Image Flip Option for Easy/Fast/any Direction installation
- Motion Detection, Privacy Masking, Camera ID
- Remote OSD Control by RS485 Coaxial cable Threw Pelco Protocol
- Support 12VDC/24VAC Power



Dimension :



Specifications :

| | | |
|------------------------------|--|---------------|
| Model | AM-S696P-VMR1 | AM-S696P-VMR1 |
| Signal System | PAL | NTSC |
| CCD Type | 1/3" Advanced Sensation Digital Image Sensor | |
| Effective Pixels | 758(H) x 540(V) | |
| Horizontal TVLine Resolution | 690TVL effectual at Color, 800TVL effectual at B/W | |
| WDR Range | High / Middle / Low / User Selectable | |
| Day/Night | Color / B&W / Auto | |
| Digital Noise Reduction | 3 DNR, On/Off Selectable | |
| Sens-Up | Auto/ Manual Selectable x2 to x32 level | |
| Lux Level(illumination) | 0.1Lux at Color, 0 Lux at IR LED On | |
| IR LED | 18pcs 0.5mm | |
| IR Wave Length | 850~880nm Infrared | |
| IR Distance | up to 15 ~ 18Meter | |
| Gamma | Default 0.45, Adjustable | |
| Gain Control(AGC) | Off / Auto / Low / High Selectable | |
| White Balance | AWB / Manual / Auto / Indoor / Outdoor | |
| Light Compensation | On / Off | |
| Lens | 2.8 to 10MM DC Auto IRIS Varifocal with ICR | |
| Color Rolling Control | Yes | |
| Digital Control | Digital PTZ up to 4X, Horizontal/Vertical Flip(Mirror) | |
| Camera ID Name | On/Off | |
| Privacy Masking | Up to 12 Zones | |
| OSD Menu Control | Yes | |
| Remote Communication | RS485 | |
| Motion Detection | On/Off Selectable | |

Specifications :

| | |
|-----------------------|--|
| Image Control | Brightness, Sharpness |
| S/N Ratio | More than 50dB |
| Shutter Speed Control | ESS: 1/25 - 1/30,720s |
| Synchronous System | Internal |
| Video output | 1.0Vp-p,75Ω, BNC Cable Connector |
| Power Supply | DC 12V ± 10%, DC Cable Connector |
| Power Consumption | <480mA @ 12VDC, 420mA @ 24VAC |
| Operating Temperature | -10°C ~ + 50°C |
| Operating Humidity | 30% ~ 90% RH |
| Dimensions(W×D×H) | 126mm (W) x 126mm (D) x 106mm (H) |
| Weight (g) | 340 g |
| Enclosure | 3 Axis Bracket, ABS Plastic with illustration Dome Cover |

* Product specifications and appearance may be changed without prior notice due to improvements.



Scan with your
Smart phone for
more information

AVTRON

<http://www.asi.ind.in>