

Superior Engineering Design & Sensational Image Quality

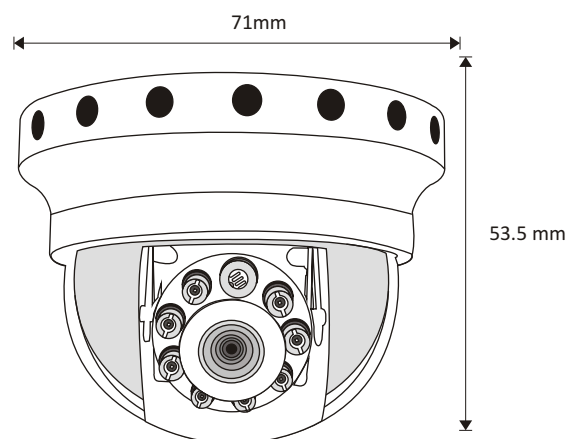
AA-4525P-FSR1 IR Dome Camera

Features :

- Mini Indoor Low Lux Dome Camera
- 1/3" Sony Super HAD II CCD
- Super 450TV Lines Resolution
- Night Vision with Lower Lux Image Capturing
- 3.6 MM M12 Standard Lens
(Optional 2.45/6.0 MM)
- BLC, AES Auto Enabled
- AGC Auto Enabled
- AWB Auto Enabled
- Indoor Metal Dome Housing
- Supports 12V DC \pm 10% Power range with Low Power Consumption



Dimension :



Specifications :

Model	AA-4525P-FSR1	AA-4525N-FSR1
Signal System	PAL	NTSC
CCD Type	1/3" Sony Super HAD II CCD	
Scanning Frequency	PAL - H : 15.625 KHz V : 50 Hz	NTSC - H : 15.734 KHz V : 60 Hz
Effective Pixels	PAL -500(H) * 582(V)	NTSC - 510(H) * 494(V)
Horizontal Line Resolution	450 TVL	
Scanning Type	2:1 Interlace	
S/N Ratio	more than 48dB	
Electronic Shutter	AES:1/50s-1/100,000s	AES: 1/60s-1/100,000s
Lens Type	3.6MM M12 Lens (Optional 2.5/6/8/12MM)	
Lux Level(illumination)	0.05 Lux @ F 1.2 , 0 Lux with IR LED ON	
IR LED	8Pcs IRLED, 0.5φ	
IR Wave Length	850~880nm Infrared	
IR Vision	8M	
Gamma characteristics	0.45 Default	
Gain Control	Auto Adjusted according to Lux Level(15dB to 30dB)	
White Balance	ATW	
Back Light Compensation	Auto	
Synchronous System	Internal Synchronization	
Video output	1.0Vp-p,75Ω, BNC Cable Connector	
Power Supply	DC 12V ± 10%, DC Cable Connector	
Power Consumption	<150mA @ 12VDC	
Operating Temperature	-10°C ~ + 50°C	
Dimensions(W×D×H)	Φ 71mm (W) × 53.5mm (H)	
Weight (g)	126g	
Enclosure	Power Coated Metal Case with Plastic Dome Cover	

* Product specifications and appearance may be changed without prior notice due to improvements.



Scan with your
Smart phone for
more information

AVTRON

<http://www.asi.ind.in>