



Superior Engineering Design & Sensational Image Quality

AM-S698-NM

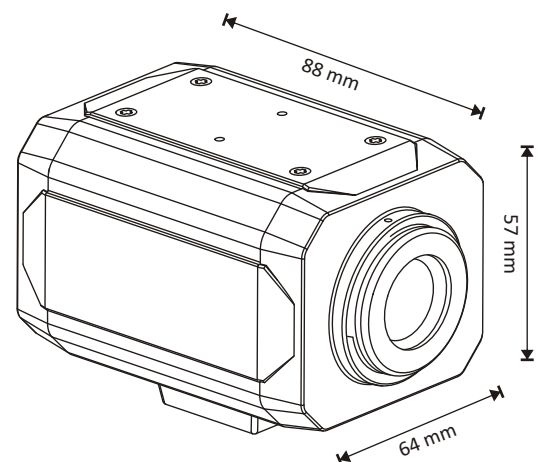
True WDR C/CS Mount(Box) Camera

Features :

- 1/3" Advanced Sensation Digital Image Sensor
- Super Excellent 690TVLine effectual Resolution with 800TVL effectual at Black & white
- Very Powerful True Wide Dynamic Range(WDR) up to 120dB
- True & Soft Day/Night for all 24/7 Surveillance mode
- Wide Range 2X ~ 32X Sens-Up for True Night Vision Image clarity
- Low Illumination 0.1Lux with noise free image
- OSD Menu Control for easy & user friendly Customer Ease
- Support DC/Video Drive C/CS Mount Lens
- Support Digital Zooming up to 4X
- Vertical & Horizontal Image Flip Option for Easy/Fast/any Direction installation
- Motion Detection, Privacy Masking, Camera ID
- Remote OSD Control by Coax cable Threw Pelco Protocol
- Support 12VDC/24VAC Power, (AC-230V Optional)



Dimension :



Specifications :

Model	AM-S698P-NM	AM-S698N-NM
Signal System	PAL	NTSC
CCD Type	1/3" Advanced Sensation Digital Image Sensor	
Effective Pixels	758(H) x 540(V)	
Horizontal TVLine Resolution	690TVL effectual at Color, 800TVL effectual at B/W	
WDR Range	High / Middle / Low / User Selectable	
Day/Night	Color / B&W / Auto	
Digital Noise Reduction	3 DNR, On/Off Selectable	
Sens-Up	Auto/ Manual Selectable x2 to x32 level	
Lux Level(illumination)	0.1Lux at Color, 0.01Lux at B/W	
Gamma	Default 0.45, Adjustable	
Gain Control(AGC)	Off / Auto / Low / High Selectable	
White Balance	AWB / Manual / Auto / Indoor / Outdoor	
Light Compensation	On / Off	
Color Rolling Control	Yes	
Digital Control	Digital PTZ up to 4X, Horizontal/Vertical Flip(Mirror)	
Camera ID Name	On/Off	
Privacy Masking	Up to 12 Zones	
OSD Menu Control	Yes	
Remote Communication	RS485	
Motion Detection	On/Off Selectable	
Image Control	Brightness, Sharpness	
S/N Ratio	More than 50dB	
Shutter Speed Control	ESS: 1/25 - 1/30,720s	
IRIS Control	DC/Video	

Specifications :

Lens	C/CS Mount
Synchronous System	Internal
Video output	1.0Vp-p,75Ω, BNC Cable Connector
Power Supply	24V AC / 12V +- 10%, 3P Connector
Power Consumption	<250mA @ 12VDC, 170mA @ 24VAC
230V AC(Optional)	<5Watt
Operating Temperature	-10°C ~ + 50°C
Operating Humidity	30% ~ 90% RH
Dimensions(W×D×H)	64mm (W) x 88 mm (D) x 57mm (H)
Weight (g)	188 g
Enclosure	Dust Resistant Fine Particles Metal

* Product specifications and appearance may be changed without prior notice due to improvements.



Scan with your
Smart phone for
more information

AVTRON

<http://www.asi.ind.in>