



Superior Engineering Design & Sensational Image Quality

AM-H548-NM

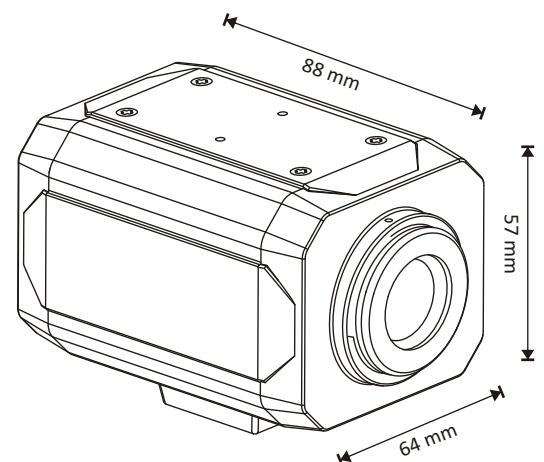
D-WDR 3DNR BOX CAMERA

Features :

- 1/3" Sony Super HADII S.Sensitivity Color IS
- Super High 540TVL effectual at Color, 600TVL effectual at B/W
- Digitally Wide Dynamic Range(D-WDR)
- True & Soft Day/Night for all 24/7 Surveillance mode
- Smart IR Function for True Face Identification at External IR Source
- Support up to Sens-Up 2x to 256x
- Support Customization Area for BLC & HSBLC
- Color Rolling Suppression
- Super Extra Noise Reduction(3-DNR) to Save the HDD Storage
- Low Lux 0.15Lux (Color), 0.0005Lux (Sens-up) with Noise Free Image
- programmable Shutter & Exposure Mode Auto, Flicker, Manual
- OSD Menu Control for easy & user friendly Customer Ease
- Support Digital Zooming up to 32X
- Image Flip(Horizontal & Vertical) for Fast/ Easy any Order installation
- Motion Detection, Privacy Masking, Camera ID
- Support C/CS Mount Lens
- Remote OSD Control by RS485 Coaxial cable Threw Pelco Protocol
- Support 12VDC/24VAC Power ,(AC-230V Optional)1



Dimension :



Specifications :

Model	AM-H548P-NM	AM-H548N-NM
Signal System	PAL	NTSC
Image Sensor	1/3" Super HADII S.Sensitivity IS	
Effective Pixels	752(H) x 582(V)	768(H) x 494(V)
Scanning Frequency	H : 15.625 KHz V : 50 Hz	H : 15.734 KHz V : 60 Hz
Horizontal TVLine Resolution	540TVL effectual at Color, 600TVL effectual at B/W	
D-WDR Range	Indoor / Outdoor	
Day/Night	Color / B&W / Auto / EXTERN	
Digital Noise Reduction	3 DNR, On/Off Selectable	
Sens-Up	AUTO / OFF/manual (Selectable x2 ~ x256)	
Lux Level(illumination)	0.15Lux @ F1.2 @ Color , 0.0005Lux@sens-up	
Gamma	Auto/ Adjustable 0 to 1.0(Default 0.45)	
Gain Control(AGC)	Auto / Low / High / Off	
White Balance	ATW1 / ATW2 / AWC / MANUAL	
Light Compensation	Off/ BLC / HLC (programmable Zone)	
Color Rolling Control	Yes	
IRIS Control	DC/Video	
Lens Mount	C/CS Mount (C - Mount Optional BY C Ring)	
Digital Control	Digital PTZ up to X32, Horizontal/Vertical Flip, Freezee, Rotate, Neg.Image	
Camera ID Name	On/Off	
Privacy Masking	Up to 4 Adjustable Zones	
OSD Menu Control	Yes	
Motion Detection	ON / OFF Adjustable 4 Zone, ALARM Output support	
Image Control	Brightness Red, Blue Gain, Sharpness, Contrast	
S/N Ratio	50dB @ AGC Off	

Specifications :

Shutter Speed Control	AUTO(1/50, 1/60s-1/100,000s) / FIXED / FLK / Manual
Synchronous System	Internal/Line Lock Selectable
RS-485 Communication	Optional (Yes, Pelco-D protocol, 2400 ~ 57600BPS Selectable)
Video output	1.0Vp-p, 75Ω, BNC Cable Connector
Power Supply	24V AC / 12V +- 10%, 3P Connector
Power Consumption	<180mA @ 12VDC, 130mA @ 24VAC
Optional @ 230VAC	<5Watt
Operating Temperature	-10°C ~ + 50°C
Operating Humidity	30% ~ 90% RH
Dimensions(W×D×H)	64mm (W) x 88 mm (D) x 57mm (H)
Weight (g)	188 g
Enclosure	Dust Resistant Fine Particles Metal

* Product specifications and appearance may be changed without prior notice due to improvements.



Scan with your
Smart phone for
more information

AVTRON

<http://www.asi.ind.in>