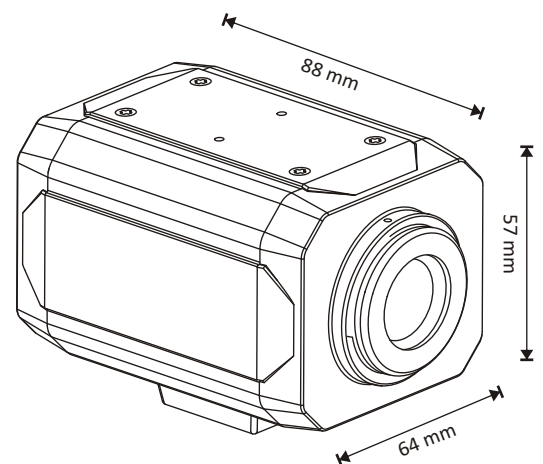


MONARCH 650 TVL**AM-E658-NM****D-WDR
C/CS Mount(Box)
Camera****Superior Engineering Design & Sensational Image Quality****AM-E658-NM****D-WDR C/CS Mount(Box) Camera****Features :**

- Sony 1/3" 960H Super HAD CCD II
- Super Excellent 650TVLine Resolution with 800TVL at B&W
- Support ATR (Adaptive Tone-Curve Reproduction)
- True & Soft Day/Night for all 24/7 Surveillance mode
- Super Extra Noise Reduction(2DNR) to Save the HDD Storage
- Adjustable Backlight Compansion Window for True BLC Effect
- Low Illumination 0.3Lux with noise free image
- OSD Menu Control for easy & user friendly Customer Ease
- Super AGC Control, Color & Image Control
- Motion Detection, Privacy Masking, Camera ID, Mirror
- Support C/CS Mount Lens
- Support 12VDC/24VAC Power ,(AC-230V Optional)

**Dimension :**

Specifications :

Model	AM-E658P-NM	AM-E658N-NM
Signal System	PAL	NTSC
CCD Type	1/3" 960H Super HAD CCD II IS	
Effective Pixels	976(H) x 582(V)	976(H) x 494(V)
Scanning Frequency	H : 15.625 KHz V : 50 Hz	H : 15.734 KHz V : 60 Hz
Horizontal TVLine Resolution	650TVL at Color, 800TVL at B/W	
ATR	On/Off (Luminance & Contrast Adjustable)	
Day/Night	Color / B&W / Auto	
Digital Noise Reduction	2 DNR, On/Off Selectable	
Sens-Up	Auto/ Manual Selectable x2 to x32 level	
Lux Level(illumination)	0.3Lux at 40 IRE Color, 0.03Lux at 40 IRE B/W	
Gamma	Default 0.45, Adjustable	
Gain Control(AGC)	X0.25 / X0.50 / X0.75 / X1.00	
White Balance	ATW / PUSH / USER1 / USER2 / ANTI CR / MANUAL/ PUSH LOCK	
Light Compensation	Off/ BLC / HLC Programmable Zone	
Camera ID Name	On/Off	
Privacy Masking	Up to 12 Zones	
OSD Menu Control	Yes	
Mirror	On/Off	
Motion Detection	On/Off Selectable (up to 4 Zone)	
Image Control	Brightness, Contrast, Sharpness, Hue, Gain	
Scanning Type	2:1 Interlace	
S/N Ratio	52dB @ AGC Off	
Shutter Speed Control	AUTO(1/50s, 1/60s-1/120,000s) / Manual(Shutter & AGC Adjustable)	
IRIS Control	DC / Video (Mode & Speed Adjustable/ Manual)	

Specifications :

Lens	C/CS Mount
Synchronous System	Internal / Line Lock
Video output	1.0Vp-p,75Ω, BNC Cable Connector
Power Supply	24V AC / 12V +- 10%, 3P Connector
Power Consumption	<200mA @ 12VDC, 190mA @ 24VAC
230V AC(Optional)	<5Watt
Operating Temperature	-10°C ~ + 50°C
Operating Humidity	30% ~ 90% RH
Dimensions(W×D×H)	64mm (W) x 88mm (D) x 57mm (H)
Weight (g)	188 g
Enclosure	Dust Resistant Fine Particles Metal

* Product specifications and appearance may be changed without prior notice due to improvements.



Scan with your
Smart phone for
more information

AVTRON

<http://www.asi.ind.in>