

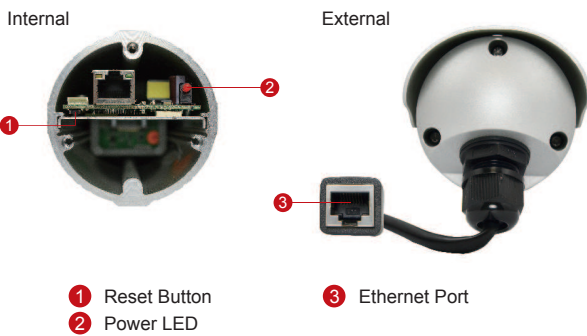
E33

5MP Bullet with D/N, IR, Basic WDR, Fixed lens

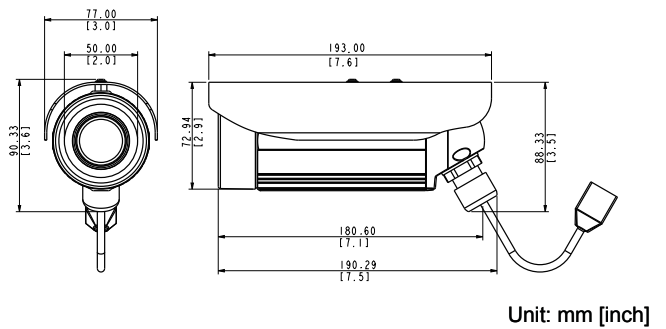


- Progressive Scan CMOS
- Day and night function with mechanical IR cut filter
- Minimum illumination 0 lux with IR LED on
- Built-in f4.2 mm / F1.8 Megapixel fixed lens
- 15 fps at 2592x1944 resolution
- Selectable H.264 HP, MJPEG compressions with dual streaming
- Video motion detection
- Basic WDR
- Weatherproof IP66 rated casing

PHOTO INDICATION



DIMENSION DIAGRAM



ACCESSORY OPTIONS

Camera Bracket

PMAX-1103

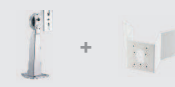


Aluminum, max. load 10 kg (22.05 lb), tilt angle 90°, swivel angle 360°

Popular Mounting Solutions

Corner

PMAX-1103
PMAX-0402



Pole

PMAX-1103
PMAX-0502



* For more mounting solutions, please refer to Mounting Accessory section of Buyer's Guide or Project Planner on www.acti.com

PRODUCT SPECIFICATION

E33

• Device

| | |
|--------------------------|-----------------------------------------------------------------|
| Device Type | Bullet Camera |
| Image Sensor | Progressive Scan CMOS |
| Day / Night | Yes |
| Minimum Illumination | Color: 0.1 lux at F1.8 (30 IRE, 2400°K); B/W: 0 lux (IR LED on) |
| Color to B/W switch | ISP based switch; Configurable |
| Mechanical IR Cut Filter | Yes |
| IR Sensitivity Range | 700 - 1100 nm |
| IR LED | IR LED x 20 (850 nm) |
| IR Working Distance | 15m (0 lux, 30 IRE, Max Exposure Gain) |
| Electronic Shutter | 1/5 ~ 1/2,000 sec (manual mode); 1/5 ~ 1/10,000 sec (auto mode) |

• Lens

| | |
|--------------------------|-----------------------------|
| Focal Length / Aperture | Fixed focal, f4.2 mm / F1.8 |
| Iris | Fixed iris |
| Focus | Fixed Focus |
| Lens Mount | Board Mount |
| Horizontal Viewing Angle | 64.1° |

• Video

| | |
|-----------------------------------|-------------------------------------------------------------------------------------------------------------------------------------------------------|
| Compression | H.264 HP, MJPEG |
| Maximum Frame Rate vs. Resolution | 15 fps at 2592 x 1944; 15fps at 2048 x 1536; 30 fps at 1920 x 1080 (Full HD 1080p); 30 fps at 1280 x 720 (HD 720p); 30 fps at 640 x 480 (VGA) |
| Multi-Streaming | Simultaneous dual streams based on two configurations |
| Bit Rate | 28 Kbps - 6 Mbps (per stream) |
| Bit Rate Mode | Constant, Variable |
| Image Enhancement | Basic WDR; White balance: automatic, hold, and manual; Brightness; Contrast; Sharpness(auto); Auto gain control; Digital noise reduction; Flickerless |
| Privacy Mask | 4 configurable regions |
| Text Overlay | User defined text on video |
| Image Orientation | Image flip and mirror |

• Network

| | |
|--------------------|----------------------------------------------------------------------------------------------------------------------|
| Protocol & Service | TCP, UDP, HTTP, HTTPS, DHCP, PPPoE, RTP, RTSP, IPv6, DNS, DDNS, NTP, ICMP, ARP, IGMP, SMTP, FTP, UPnP, SNMP, Bonjour |
| Ethernet Port | 1, Ethernet (10/100 Base-T), RJ-45 connector |
| Security | IP address filtering; HTTPS encryption; Password protected user levels; IEEE 802.1X network access control |

• Alarm

| | |
|----------------|------------------------------------------------------------------------------------------------------------------------------------------------|
| Alarm Trigger | Video motion detection (3 regions) |
| Alarm Response | Notify control center; Change camera settings; Command other devices; E-mail notification with snapshots; Upload video, snapshot to FTP server |

• General

| | |
|----------------------------|-----------------------------------------------------------------------|
| Power Source / Consumption | PoE Class 2 (IEEE802.3af) / 6.29W (IR on) |
| Weight | 584 g (1.29 lb) |
| Dimensions (Ø x L) | 77 mm x 196.74 mm (3.04" x 7.7") |
| Bundled Accessories | Bracket |
| Environmental Casing | Weatherproof (IP66 rated) |
| Mount Type | Wall, Ceiling, Corner, Pole |
| Operating Temperature | -20 °C ~ 50 °C (-4 °F ~ 122 °F) |
| Operating Humidity | 10% ~ 85% RH |
| Approvals | CE (EN 55022 Class B, EN 55024), FCC (Part15 Subpart B Class B), IP66 |

• Integration

| | |
|-------------------------|-----------------------------------------------------------------------------------------------------------------------------|
| Unified Solution | Fully compatible with ACTi software |
| ISV Integration | Software Development Kit (SDK) available; ONVIF compliant |
| Firmware Access Browser | Microsoft Internet Explorer 8.0 or newer (full functionality); Other browsers with VLC installed (partial functionality) |