

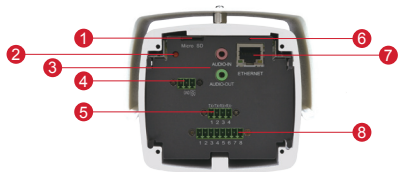
KCM-5211E

18x Zoom H.264 4-Megapixel IP IR D/N PoE Outdoor Box Camera with ExDR



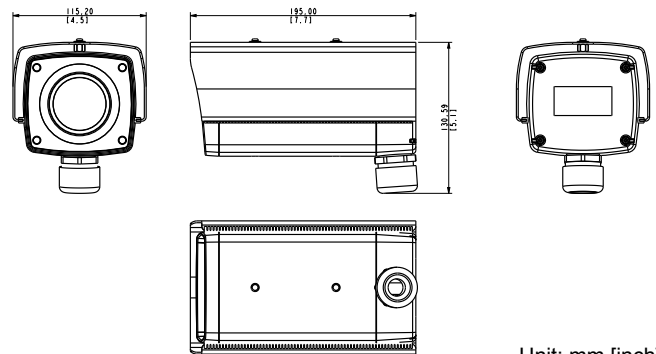
- 1/3.2" Progressive Scan CMOS
- Day and night function with mechanical IR cut filter
- Minimum illumination 0 lux with IR LED on
- 18 x optical zoom
- Built-in f4.7-84.6 mm / F1.6 Megapixel DC iris zoom lens
- 8 fps at 2032 x 1920 resolution (1650 TV lines)
- Selectable H.264, MPEG-4 SP, MJPEG compressions with dual streaming
- Up to 4 cropped regions as independent channels
- Serial port for external pan & tilt scanner
- Two-way audio
- Weatherproof IP66 rated casing
- SDR (Superior Dynamic Range)
- 2D+3D Digital noise reduction
- Video Motion Detection
- Powered by PoE Class 3 / DC 12V

PHOTO INDICATION



- | | |
|----------------------------------|--------------------------|
| 1 MicroSD / Micro SDHC Card Slot | 5 Serial Port Input |
| 2 Power LED | 6 Reset Button |
| 3 Audio Input / Output | 7 Ethernet Port |
| 4 DC 12V Power Input | 8 Digital Input / Output |

DIMENSION DIAGRAM



Unit: mm [inch]

ACCESSORY OPTIONS

Camera Bracket

PMAX-1101



Aluminum, max. load 10 kg (22.05 lb), tilt angle 90°, swivel angle 360°

Power Adapter

PPBX-0002



Universal Power Adapter, 100~240V, 4 different connectors included

Pan & Tilt Scanner

Third party Pan & Tilt Scanners available at: www.acti.com/pantilt/

Popular Mounting Solutions

Corner	PMAX-1101 PMAX-0402	
Pole	PMAX-1101 PMAX-0502	

* For more mounting solutions, please refer to Mounting Accessory section of Buyer's Guide or Project Planner on www.acti.com

PRODUCT SPECIFICATION**KCM-5211E****• Device**

Device Type	Box Camera
Image Sensor	Progressive Scan CMOS
Sensor Size	1/3.2" (4.5 x 3.4 mm)
Horizontal Resolution	1650 TVL
Day / Night	Yes
Minimum Illumination	Color: 0.1 lux at F1.6 (30 IRE, 2400°K); B/W: 0 lux (IR LED on)
Color to B/W switch	ISP based switch, configurable
Mechanical IR Cut Filter	Yes
IR Sensitivity Range	700 - 1100 nm
IR LED	IR LED x 24 (850 nm)
Electronic Shutter	1/25 - 1/2000 sec (50Hz); 1/15 - 1/2000 sec (60Hz) (manual mode) 1 - 1/2000 sec (auto mode)

• Lens

Focal Length	Zoom, f4.7 - 84.6 mm / F1.6 - F2.8
Zoom Ratio	18x optical
Zoom Speed	2.63 sec (1x to 18x)
Iris	DC Iris
Focus	Auto Focus
Horizontal Viewing Angle	48.94° - 3.61°

• Video

Compression	H.264, MPEG-4 SP, MJPEG
Maximum Frame Rate vs. Resolution (H.264, MJPEG)	8 fps at 2032 X 1920; 15 fps at 1920 X 1080 (HD 1080p); 30 fps at 1280 x 720 (HD 720p); 30 fps at 640 x 480 (VGA)
Maximum Frame Rate vs. Resolution (MPEG-4 SP) 4 Cropped VGA Mode (All Compressions)	5 fps at 2032 X 1920; 10 fps at 1920 X 1080 (HD 1080p); 24 fps at 1280 x 720 (HD 720p); 30 fps at 640 x 480 (VGA) 15 fps at 640 x 480 (VGA)
Multi-Streaming	Simultaneous dual streams based on two configurations in single view mode; Multiple streams based on single configuration in 4 cropped VGA mode
Bit Rate	28 Kbps - 6 Mbps (per stream)
Bit Rate Mode	Constant, Variable
S/N Ratio	More than 63.2 dB
Image Enhancement	SDR (Superior Dynamic Range); White balance: automatic, hold and manual; Brightness; Contrast; Automatic gain control; 2D+3D Digital noise reduction; Flickerless; Defogging
Privacy Mask	4 configurable regions
Text Overlay	User defined text on video
Image Orientation	Image flip and mirror

• Audio

Compression	8 kHz, Mono, PCM, 16 bit encoding
Audio-In	3.5mm Phone Jack
Audio-Out	3.5mm Phone Jack

• Network

Protocol & Service	TCP, UDP, HTTP, HTTPS, DHCP, PPPoE, RTP, RTSP, IPv6, DNS, DDNS, NTP, ICMP, ARP, IGMP, SMTP, FTP, UPnP, SNMP, Bonjour, Pelco-D
Ethernet Port	1, Ethernet (10/100 Base-T), RJ-45 connector
Security	IP address filtering; HTTPS encryption; Password protected user levels; IEEE 802.1X network access control*

• Alarm

Alarm Trigger	Video motion detection 3 regions in single view mode, 1 region each in 4 cropped VGA mode; External device through digital input
Alarm Response	Notify control center; Go to Zoom preset point or preset tour; Change camera settings; Command other devices; E-mail notification with snapshots; Save video or snapshot to local storage; Upload video, snapshot to FTP server; Activate external device through digital output

• Interface

Digital Input	2, terminal block
Digital Output	2, terminal block
Serial Port	RS-485, RS-422, terminal block
Local Storage**	MicroSD/SDHC memory card slot (card not included)

• General

Power Source / Consumption	PoE Class 3 (IEEE802.3af) / 9.12 W (IR on) DC 12V / 11.52 W (IR on)
Weight	1350 g (2.98 lb)
Dimensions (W x H x D)	115.20mm x 130.59mm x 195.00mm (4.50" x 5.10" x 7.70")
Environmental Casing	Weatherproof (IP66 rated)
Operating Temperature	-30°C ~ 50°C (-22°F ~ 122°F)
Operating Humidity	10% ~ 85% RH
Approvals	Camera: CE, FCC, IP66; Adapter: CE, TUV-GS, UL, RCM, CCC

• Integration

Unified Solution	Fully compatible with ACTI software
ISV Integration	Software Development Kit (SDK) available
Firmware Access Browser	Microsoft Internet Explorer 6.0 or newer

* All specifications are subject to change without notice.

* All brand names and registered trademarks are the property of their respective owners.